

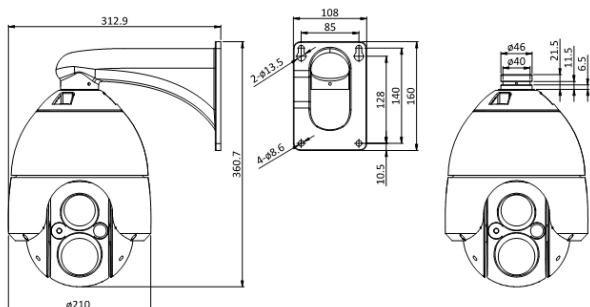
2M X30 AHD IR PTZ Camera



Feature

- 2M X30 AHD IR PTZ Camera
- X360 Zoom Control(Optical X30 / Digital X12)
- MIN. Illuminance : 0 Lux @ IR Mode
- True Day & Night(ICR)
- BLC / WDR / De-Fog / Noise Reduction
- Image Stabilization
- 8 Privacy Masks with Spherical Coordinates
- Super Speed(240°/SEC.) with 360° Endless Pan Rotation
- The Shortest Path with Vector Drive Technology
- Micro Control(0.05°/SEC.) with Micro Stepping Control Technology
- 209 Presets / 10 Swings / 4 Patterns / 8 Groups
- Independent Preset Parameter Setup
- 8 Scheduler Functions with RTC(Real Time Clock)
- Super Video Quality
- AHD 2.0 Standard Support
- Simultaneous AHD & Composite Output
- OSD Menu with Password Function
- 2 Sensor Inputs / 1 Alarm Output
- Intelligent Varifocal IR LED Control
- Vandalproof
- DC 12V
- Waterproof(IP66)

Dimension



Specification

Model	HAP-CZ30IRW
Image Sensor	1/3" Panasonic CMOS Sensor
Pixel	2,000K Pixels
Zoom	Optical X30 / Digital X12
Video Signal to Noise	More than 50 dB
Focal Length	F1.6 ~ 4.7, f=4.3 ~ 129.0mm
Angle of View	Horizontal : 58.9°(Wide) ~ 2.11°(Tele)
MIN. Illuminance	0.5 Lux(Color) / 0 Lux(B/W, IR Mode) @ DSS Off 0.125 Lux(Color) / 0 Lux(B/W, IR Mode) @ DSS On
Day & Night	Auto / Day / Night(ICR)
Focus	Auto / Manual / Semi-Auto
AE Mode	Auto / Iris / Shutter / Manual
White Balance	Auto / Indoor / Outdoor / Manual(Red, Blue Gain Adjustable)
BLC	On / Off
WDR	On / Off
De-Fog	On / Off
Aperture	Adjustable
Noise Reduction	Auto / Off / 1 ~ 3 Level
Image Stabilization	On / Off
Privacy Zone	8 Masks with Spherical Coordinate
Range	Pan : 360°(Endless) / Tilt : -20° ~ 90° Preset : 240° / SEC.
Pan/Tilt Speed	Manual : 0.05° ~ 240° / SEC.(Zoom Proportional) Swing : 10° ~ 180° / SEC.
Preset	209 Presets(Label, Independent Camera Parameter Setting)
Pattern	4 Patterns [768 Commands(Approximate 5 Minutes) / 1 Pattern]
Swing	10 Swings
Group	8 Groups (MAX. 40 Actions with The Combination of Preset, Pattern and Swing)
Scheduler Function	8 Scheduler Functions with RTC(Real Time Clock)
Other Functions	Auto Flip, Auto Parking, Power-up Action and Others
Video	Output : 2 x BNC(AHD and CVBS) AHD : AHD 2.0 Standard AHD Resolution : 1080p/30/25, 720p/60/50, 720p/30/25 CVBS : 1.0 Vp-p
RTC(Real Time Clock)	YES(RTC Battery Backup Time : Approximate 2 Weeks)
Communication	RS-485
Protocol	Pelco-D, Pelco-P Selectable
OSD	YES (English) with Password Protection
Sensor Input	2 Inputs, Photo-Coupler Type, DC 5V~12V
Alarm Output	1 Output, Relay Output, MAX. Load DC 24V / 1.0A or AC 125V / 0.5A
IR LED	Source : Varifocal IR III Generation Control : Intelligent Varifocal IR LED Control Wave Length : 850nm View Angle : 7° ~ 40°(Proportional to Zoom) Visible Distance : 150M
Physical	Mount Bracket : Wall Mount Bracket or Ceiling Mount Bracket Dimension : Wall Mount : 312.9(L) x 210(W) x 360.7(H) [mm] / 12.4(L) x 8.3(L) x 14.3(H) ["] Ceiling Mount : 210(∅) x 480.7(H) [mm] / 8.3(∅) x 19.0(H) ["] Weight : Wall Mount : 7 kg / 15.5 lb / Ceiling Mount : 7 kg / 15.5 lb Material : Aluminum Rated Power : DC 12V / 3.5A Waterproof : IP 66 Operating TEMP. : -10°C ~ 50°C / 14°F ~ 122°F

Specification & Design are subject to change without prior notice.